



FEG-410

**COUNTER
BLOCK**

FOCCA[®]
SMART MOBILITY



COUNTER BLOCK

FEG-410

TECHNICAL FEATURES

- Electronic turnstile and top cover in brushed stainless steel;
- External edges of the cabinet have rounded corners with a radius of 20 mm;
- Hub for fixing the arms in polished aluminum;
- Brushed stainless steel arms, with closed extremities with the same material;
- Modulated and fixed tops of extremities by quick fit system;
- Customizable extremities covers to accommodate components such as validators, displays, readers, keyboards, among others.
- Electronic turnstile with large internal space to accommodate collector card box or various electronic systems;
- Access to the interior of the electronic turnstile through two sides doors;
- Access and complete removal of the mechanical and electric set kit through the central top cover;
- Internal components with treatment against oxidation;
- Electromechanical control for both ways (bidirectional);
- Seven operational ways selected by the keyboard of the control board or remotely:

Mode 1: controlled entry and blocked exit;

Mode 2: blocked entry and controlled exit;

Mode 3: controlled entry and exit;

Mode 4: controlled entry and free exit;

Mode 5: free entry and controlled exit;

Mode 6: free entry and exit;

Mode 7: blocked entry and exit.

- Two pictograms that indicate the operating mode of the block (entry or exit).
- PI (Protection Index): 53;
- Supply voltage: 110/220 VAC, 50/60 Hz;
- Maximum power consumed: 35 W
- Maximum relative humidity for operation: 95% non-condensing
- Operation temperature: -10°C ~ 55°C.

The Block Counter FEG-410 was designed to access control of high flow of people. Produced to ensure confiability in control and security of the user's passage. It was developed with a focus on innovation, functionality and quality, it allows interface to various systems of electronic control of access.

APPLICATIONS: Subway stations, BRT, trains, bus terminals, commercial buildings, among others.

OPERATION FEATURES

For the operational modes which the entry and/or exit access is controlled, the equipment will remains the passage blocked up to the system control (validator) sends a signal of release. The block can operate, receiving an individual signal for each way of passage (entry or exit).

Once performed the passage, the arms' spin returns to be blocked, waiting for a new release signal. If the user does not start the passage within a period of a pre determined time (time-out), the access returns to be blocked.

For each performed access (entry or exit), the electronic interface of the block sends an individual signal for the end of the spin.

During the passage of the user, the mechanical system prevents the movement of the arms in the opposite direction of the authorized passage, besides guaranteeing the return to the locked position after the end of the access.

The locking solenoids are energized only in unauthorized attempts crossings, avoiding unnecessary power consumption. In case of lack of electricity the passage will remain released for both directions.

OPTIONAL

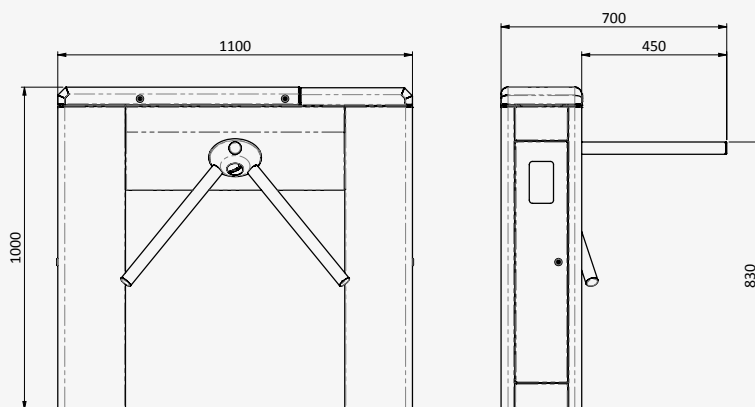
- **Painted electronic turnstile:** electronic turnstile and top covers in carbon steel, coated with electrostatic powder paint, in the color black;
- **Mixed electronic turnstile:** electronic turnstile in carbon steel painted and top covers in stainless steel;
- **Operational pictograms:** Luminous indicated signal of authorization of the access (released or blocked);
- **Electromechanical counter:** component registrant of the numbers of passages of entry and/or exit;
- **Collector box:** receptacle lodged in the interior of the electronic turnstile that collects the user's cards;
- **Mechanical control of access:** Unidirectional or bidirectional way of passage, without electrical interface of control.



FOCA has its own engineering and manufacturing departments and many customizations can be developed upon request.

Dimensions:

The exposed dimensions are from the standard Foca's model, possible alterations can be evaluated, according to the customer's needs.



• FOCA reserves the right to make changes to its products without prior notice.