



2010 *International* Application Guide • Volume 9 • Issue 1 • 1-11-10



GLOBAL SERIES™

Global Series™ Models

GL929IB2739

Useable Platform:
27" x 39"
(68 cm x 99 cm)

GL936IB3243

Useable Platform:
32" x 43"
(81 cm x 109 cm)

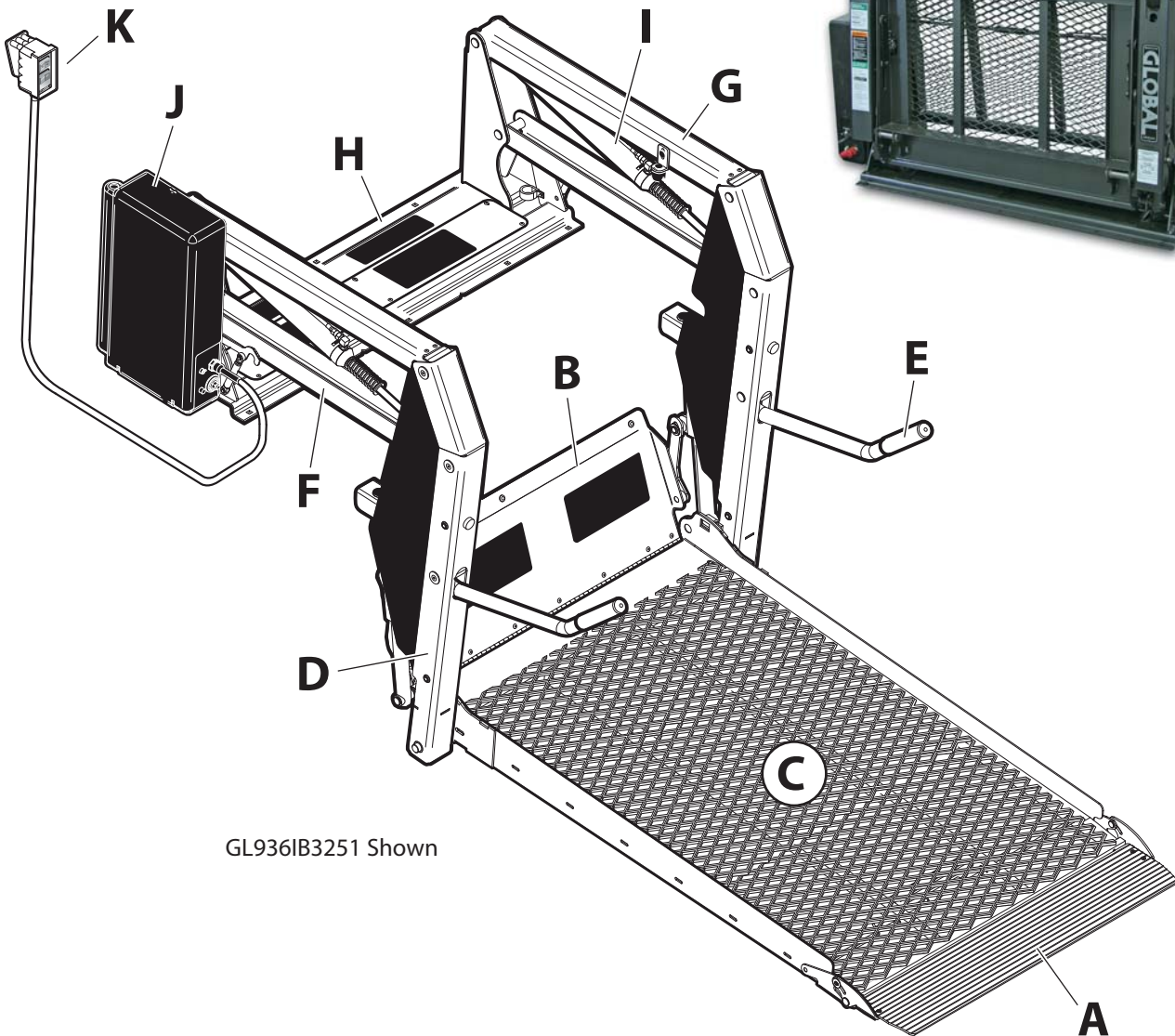
GVL936IB3144

Stacking Platform Model

Useable Platform:
31" x 44"
(78 cm x 111 cm)

GL936IB3251

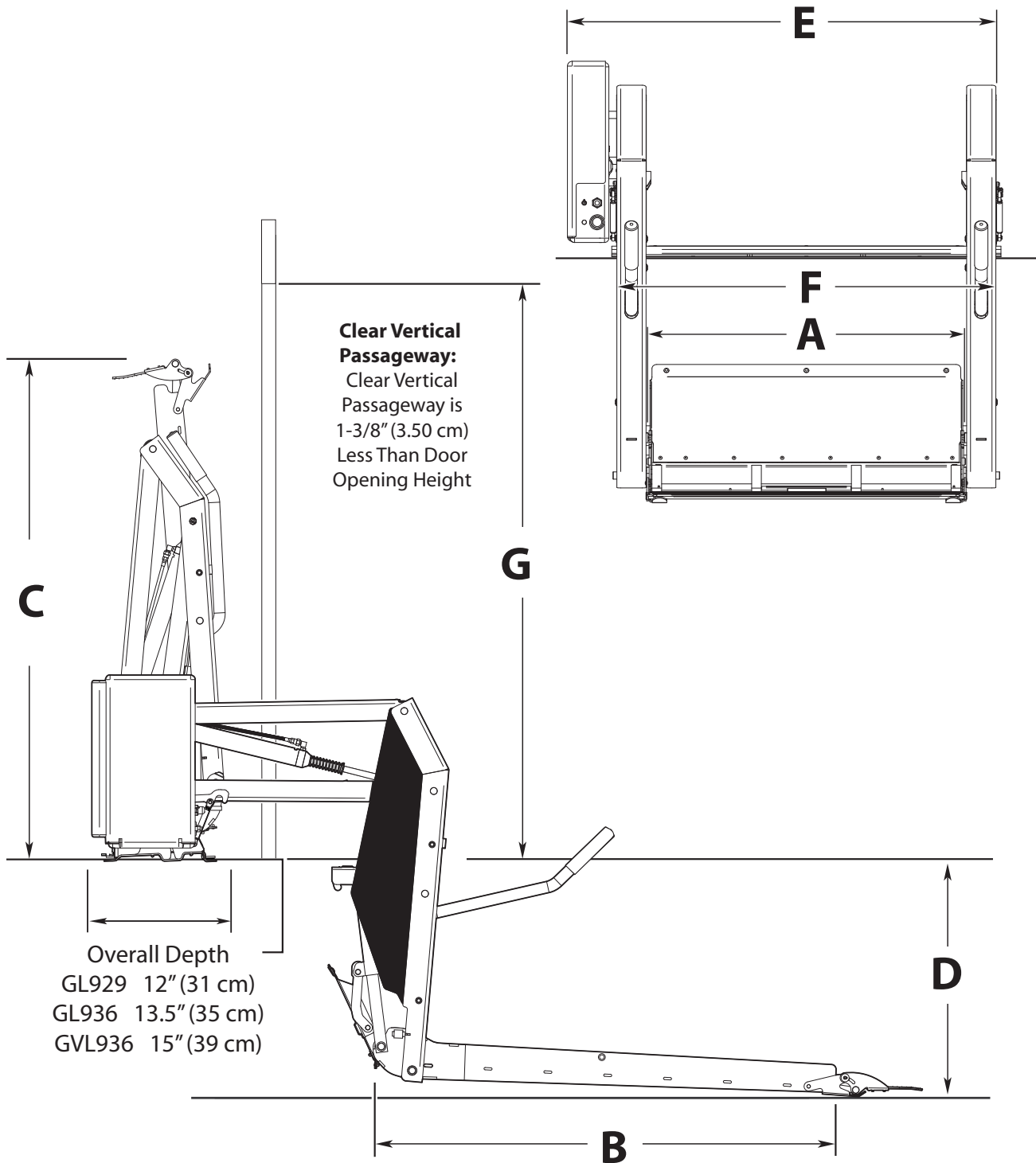
Useable Platform:
32" x 51"
(81 cm x 130 cm)



GL936IB3251 Shown

A - Automatic Outboard Barrier	G - Top Parallel Arms (2)
B - Inboard Barrier (IB)	H - Base Plate
C - Platform (GVL model has Stacking Platform)	I - Cylinder (2)
D - Vertical Arms (2)	J - Pump Module
E - Handrails (2)	K - Hand-Held Control
F - Bottom Parallel Arms (2)	

Global Series™ Dimensions



All dimensions are for reference only.

Global Series™		A	B	C	D	E	F	G	
Lift Model Number	Operation		Clear Platform Width	Clear Platform Length	Overall Lift Height	Max. Floor to Ground	Overall Lift Width	Min. Clear Door Opening Width	Min. Clear Door Opening Height
	User	Attdt.							
GL929IB2739		X	27" (68cm)	39" (99cm)	44" (111cm)	29" (73cm)	40.5" (102cm)	36" (91cm)	44" (111cm)
GL936IB3243		X	32" (81cm)	43" (109cm)	48" (122cm)	36" (91cm)	45" (114cm)	41" (104cm)	48" (121cm)
GL936IB3251		X	32" (81cm)	51" (130cm)	56" (142cm)	36" (91cm)	45" (114cm)	41" (104cm)	56" (142cm)
GVL936IB3144		X	31" (78cm)	44" (111cm)	48" (121cm)	36" (91cm)	45" (114cm)	41" (104cm)	48" (121cm)

Global Series™ Specifications

General Function: Electrohydraulic, power up/gravity down operation

Operation: Hydraulic pump with two lifting cylinders

Control: hand-held control

Hydraulic: Pressure Max. 1,800 psi (124 bar), Fluid is Univis HVI 26, reservoir is .33 gal (1.25 L)

Construction: Steel structure with powder coat finish

Lift Weight: 270 lbs (123 kg) - 290 lbs (132 kg) (depending on lift model)

Lifting Capacity: 660 lbs (300 kg) - GL929IB2739 - 440 lbs (200 kg)

Operating Temperature: 19°F to 149°F (-7°C to 65°C)

Power Supply: 12V DC

Current Consumption: Max. 25A (12V)



Global Series™ Features



- fully automatic lift, operated by an attendant
- parallel arm lift with hydraulic cylinders
- hand-held control box for easy operation of the lift
- side or rear door application
- stacking platform model available
- new baseplate design cuts lift weight and allows for quicker and easier service of hydraulic hose
- pump design prevents platform from folding when occupied
- dual handrails for security and convenience
- spring-loaded outboard barrier
- automatic mechanical inboard barrier (IB), ensuring extra safety for the wheelchair occupant
- integrated back-up pump
- equipped with an anti-rattle feature to avoid unpleasant noise in the vehicle during transit
- durable high-gloss powder coated finish
- Lift-Tite system stows the lift platform securely while the vehicle is in transit
- pump module with removable cover offers easy access to all components
- lift power on/off switch



www.braunability.com/international

ISO 9001:2000

631 West 11th Street, Winamac, IN 46996, USA Phone: +1 574 946 6153 Fax: +1 574 946 4670