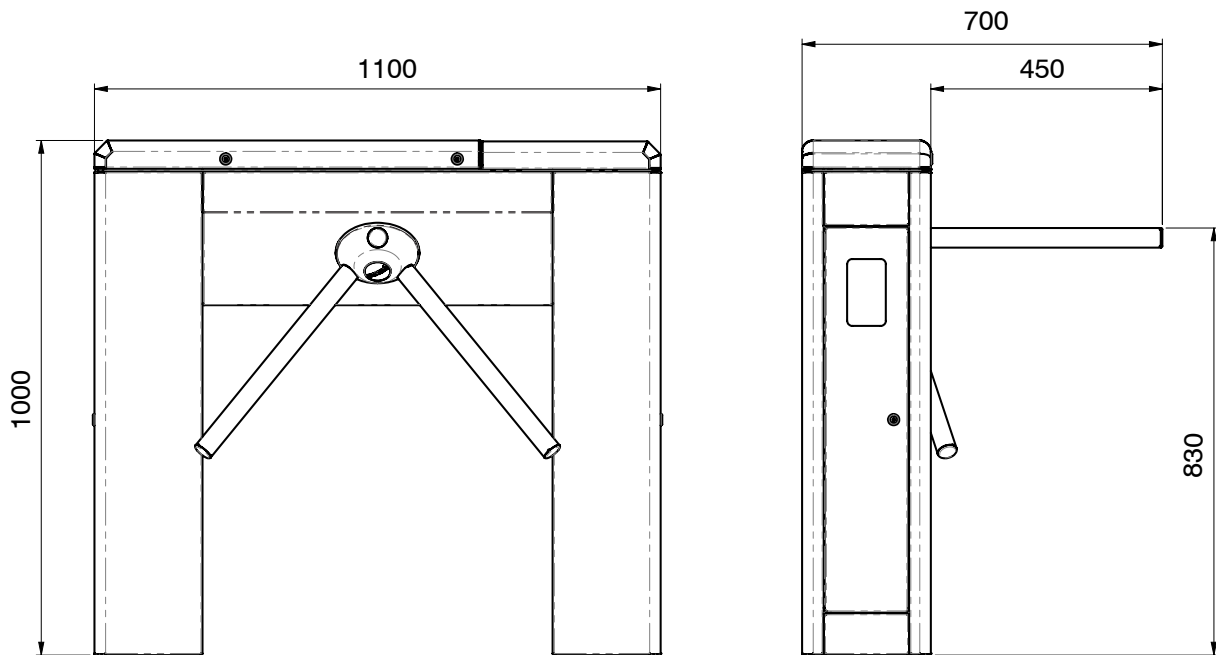




Dimensions

The showed dimensions are FOCA's model standard, other dimensions can be available according to customer's need.



FEG-420

**COUNTER
BLOCK**

FOCA[®]
SMART MOBILITY

